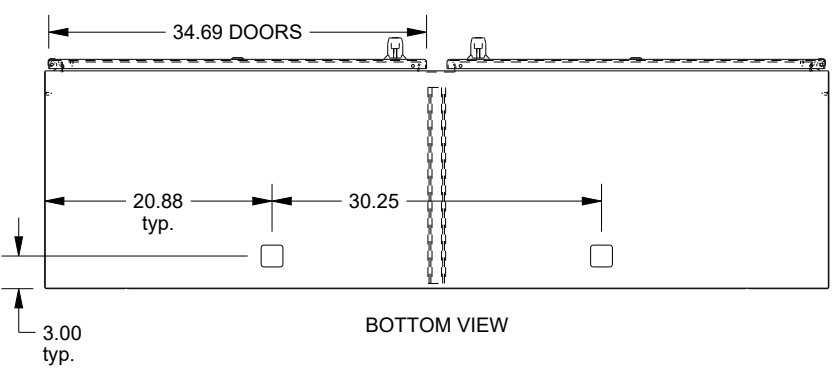
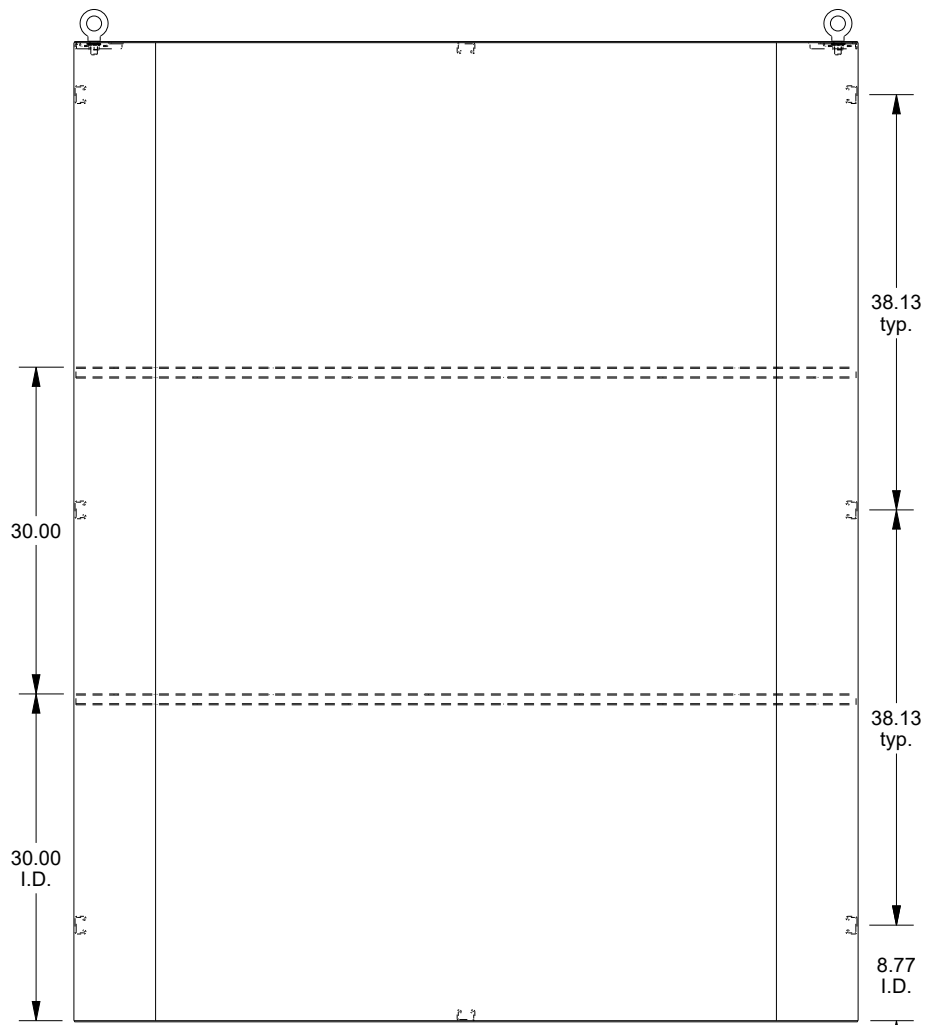
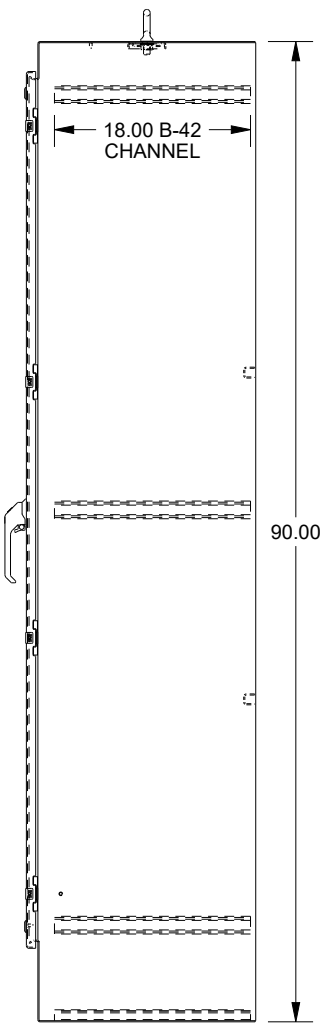
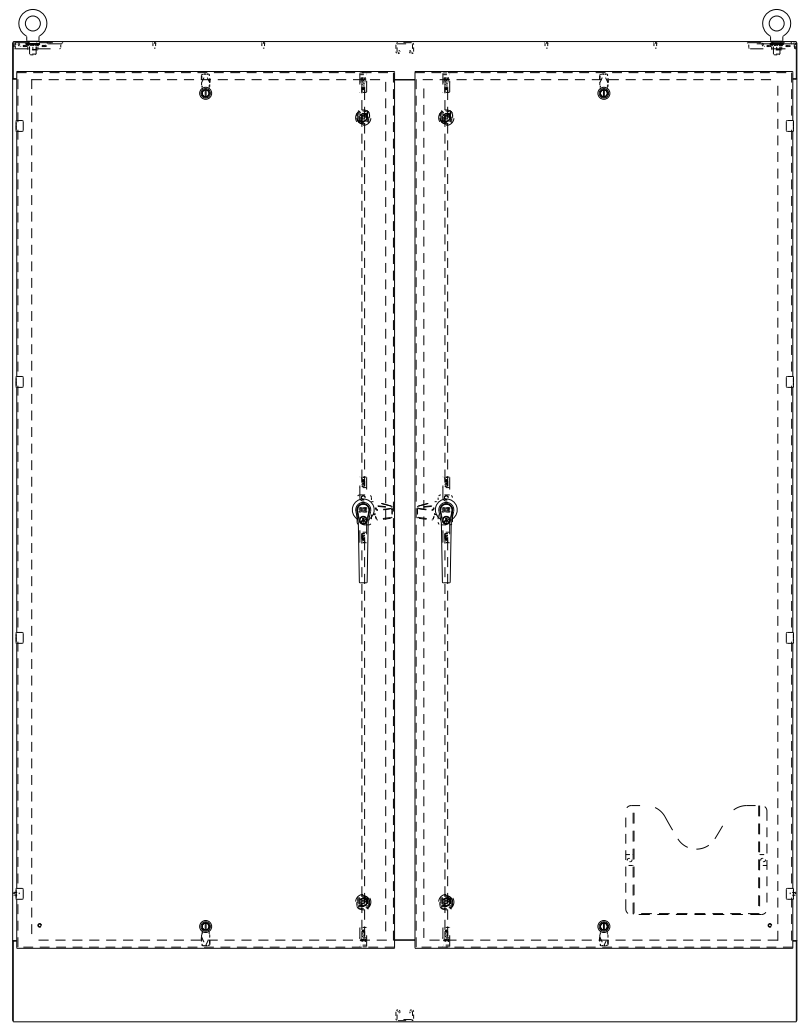
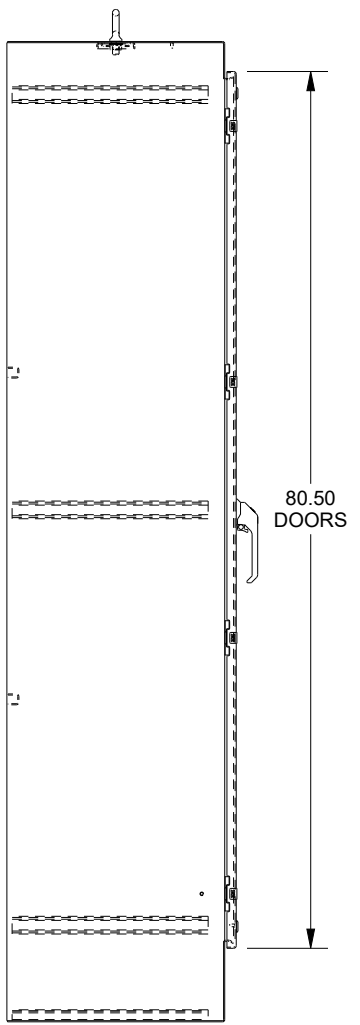
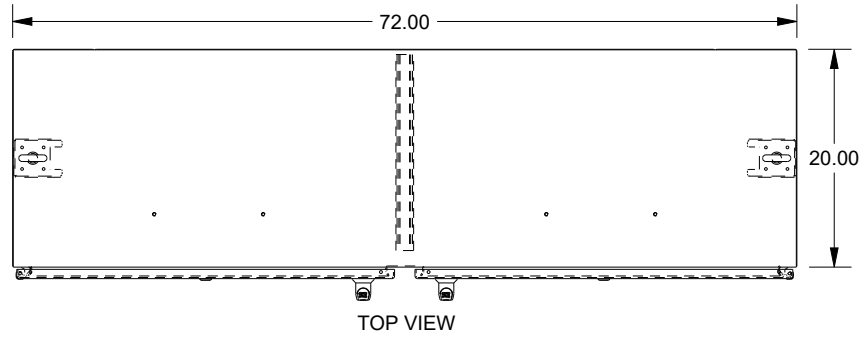


# SAGINAW CONTROL & ENGINEERING

## SCE-90EL7220FSD



WASH SYSTEM 2" SQUARE DRAIN HOLES IN THE  
BOTTOM WITH UL APPROVED HOLE SEALS PROVIDED